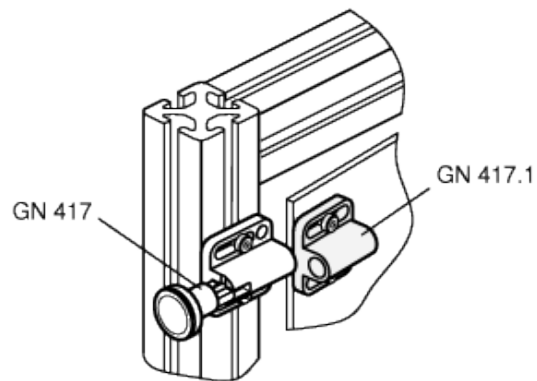
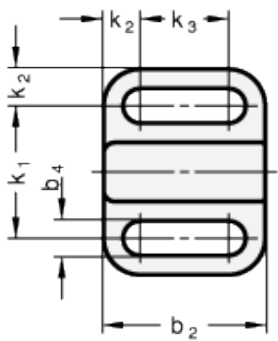
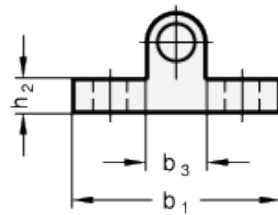
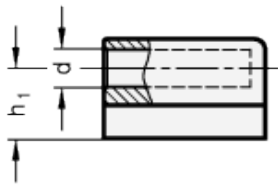


GN 417.1

Locators



technical informations

Specification

Steel

plastic coated

black, textured finish

Information

Locators GN 417.1 are matched to the indexing Plungers GN 417 and are use to Position the indexing pin.

Standard Elements	Main dimensions											Weight
Description	d 标称尺寸	实际尺寸 +0.1	b ₁	b ₂	b ₃	b ₄ -0.2	h ₁	h ₂	k ₁ ±0.05	k ₂	k ₃	g
GN 417.1-4	4	4.1	22	16.5	6	3.3	7	4	14	4	8.5	-
GN 417.1-5	5	5.1	28	22	8	4.3	9.5	4.5	18	5	12	-
GN 417.1-6	6	6.2	32	27.5	10	5.4	10.5	5	21	5.5	16.5	-
GN 417.1-8	8	8.2	34	33	12	5.4	12.5	6	23	5.5	22	-
GN 417.1-10	10	10.2	39	35	14.5	6.8	14.5	6	27	6	23	-



ELESA and GANTER models all rights reserved in accordance with the law. Always mention the source when reproducing our drawings.

STANDARD MACHINE ELEMENTS WORLDWIDE